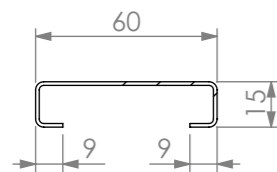
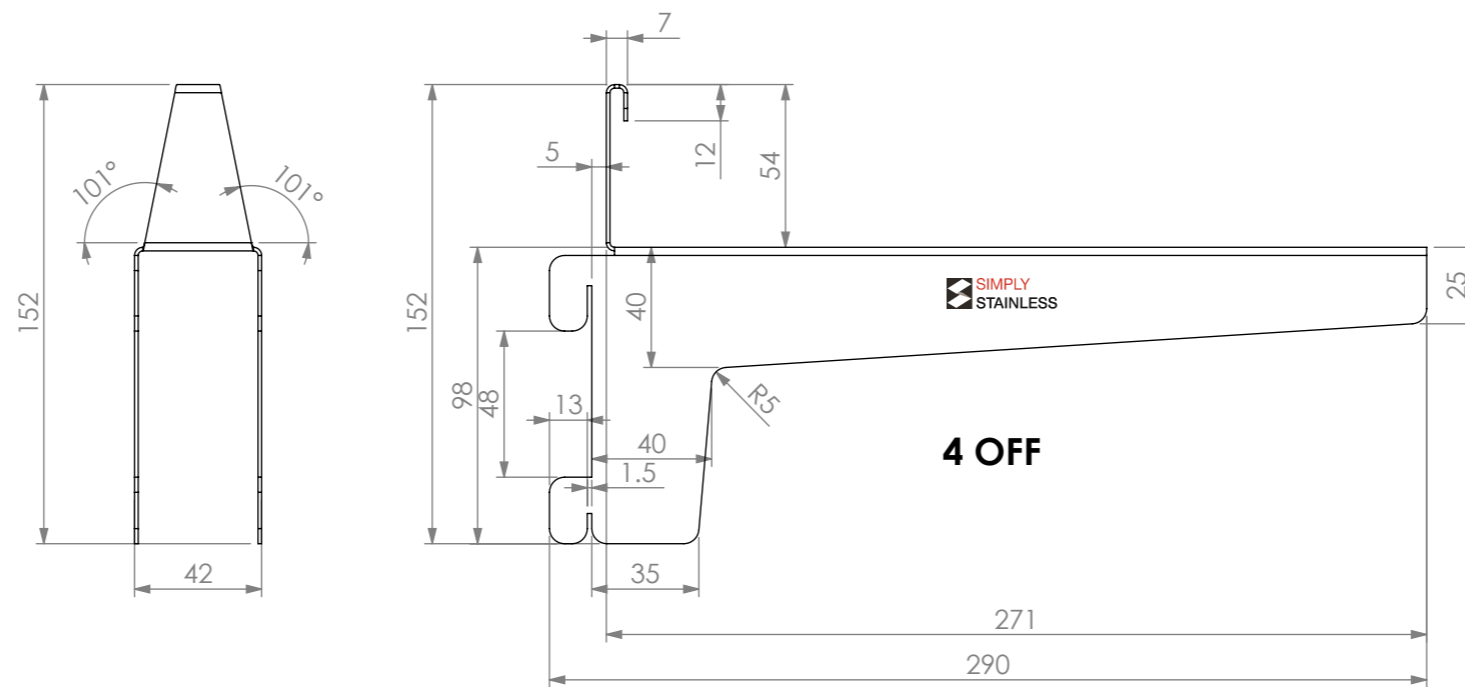
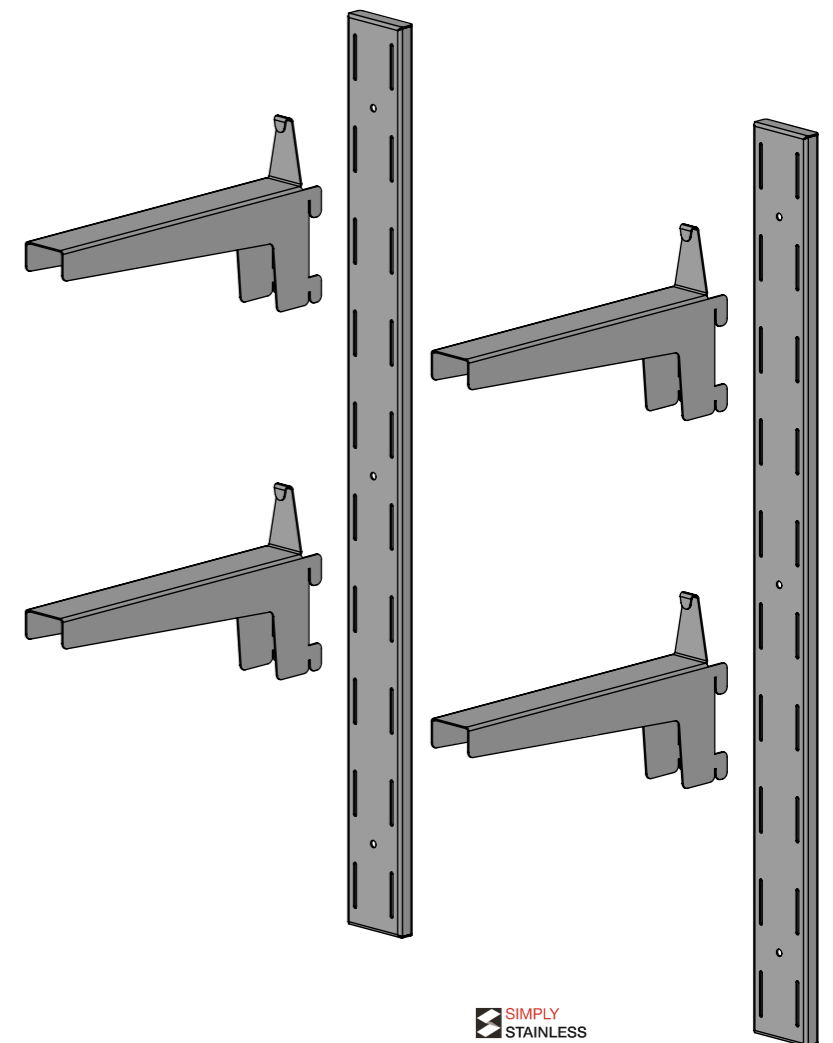
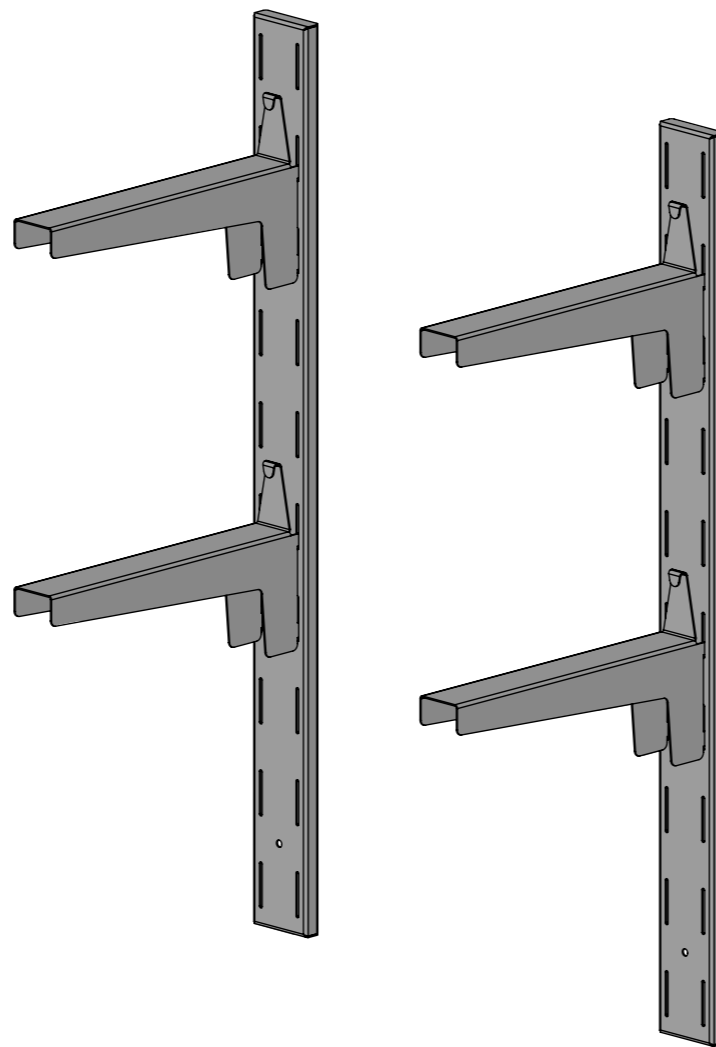


2 OFF



SECTION A-A



4 OFF



Modular Sinks, Tables & Shelving

COPYRIGHT © 2022

This drawing is the property of CI GROUP PTY LTD. Tradings as SIMPLY STAINLESS and it may not be copied, reproduced or modified in whole or in part without prior written permission of CI GROUP PTY LTD. SIMPLY STAINLESS reserves the right to change specification and design without notice.

KIT A
TWO TIER ADJUSTABLE WALL SHELF KIT

SIZE: A3

SCALE: NTS

CONSTRUCTION NOTES:

1. MADE FROM 1.2mm STAINLESS STEEL.

TWO TIER ADJUSTABLE WALL SHELF KIT A
TO SUIT WALL SHELF SIZE 600mm, 900mm, 1200mm, 1500mm